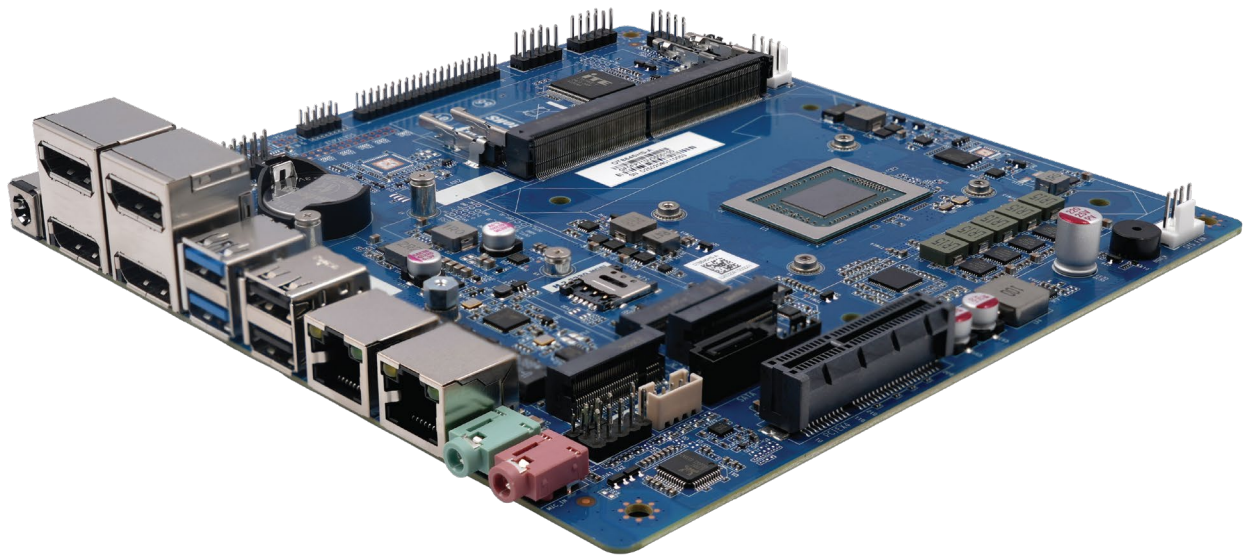


FP-710(Beta)

AMD® Ryzen™, Ryzen™ AI 8000 Series Processor

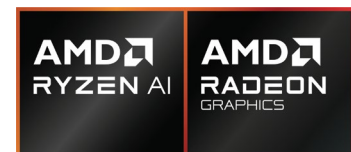
“Zen 4” Architecture based Mini ITX with 4 DisplayPorts



Features

- CPU: AMD Ryzen™ 8000 Series Processor
- Memory: Dual channel SO-DIMM DDR5 up to 96GB
- Display: AMD Radeon™ Graphics, Up to 4 independent 4K displays
- Ethernet: 10/100/1000/2500Mbps
- Storage: M.2_2280 Slot for NVMe
- Expansion: PCIe 4X, M.2 for Wi-Fi, M.2_2242 Slot for 4G, Nano SIM
- Power: 19V DC input

AMD
together we advance_



Introduction

The Maxtang FP-710 mini-ITX motherboard features AMD Ryzen™ 7 8845HS and 8745H processors, offering up to 8 cores and 16 threads built on the advanced "Zen 4" architecture. With AMD Ryzen™ AI technology and a dedicated Neural Processing Unit (NPU), it delivers powerful AI processing capabilities, enabling enhanced productivity, creativity, and next-level AI PC experiences. Engineered for performance and efficiency, the FP-710 brings significant design improvements and outstanding power efficiency – making it an excellent choice for embedded solutions.

The motherboard supports 2x SO-DIMM DDR5 memory up to 96GB, 4x DP1.4 outputs for four independent 4K displays, and 1x M.2 2280 slot for NVMe storage. It also includes 1x M.2 2230 slot for Wi-Fi, 1x M.2 2242 slot for 4G, and optional TPM for enhanced security. A rich set of I/O ports – 6x COM, 8x USB, GPIO, Line-out, and Mic-in – ensures compatibility with a wide range of applications. Whether powering electronic gaming machines, medical imaging systems, interactive digital signage, thin clients, or POS terminals, the FP-710 delivers the high-speed performance and visual clarity demanding industries rely on.



H/W Monitor



Watchdog

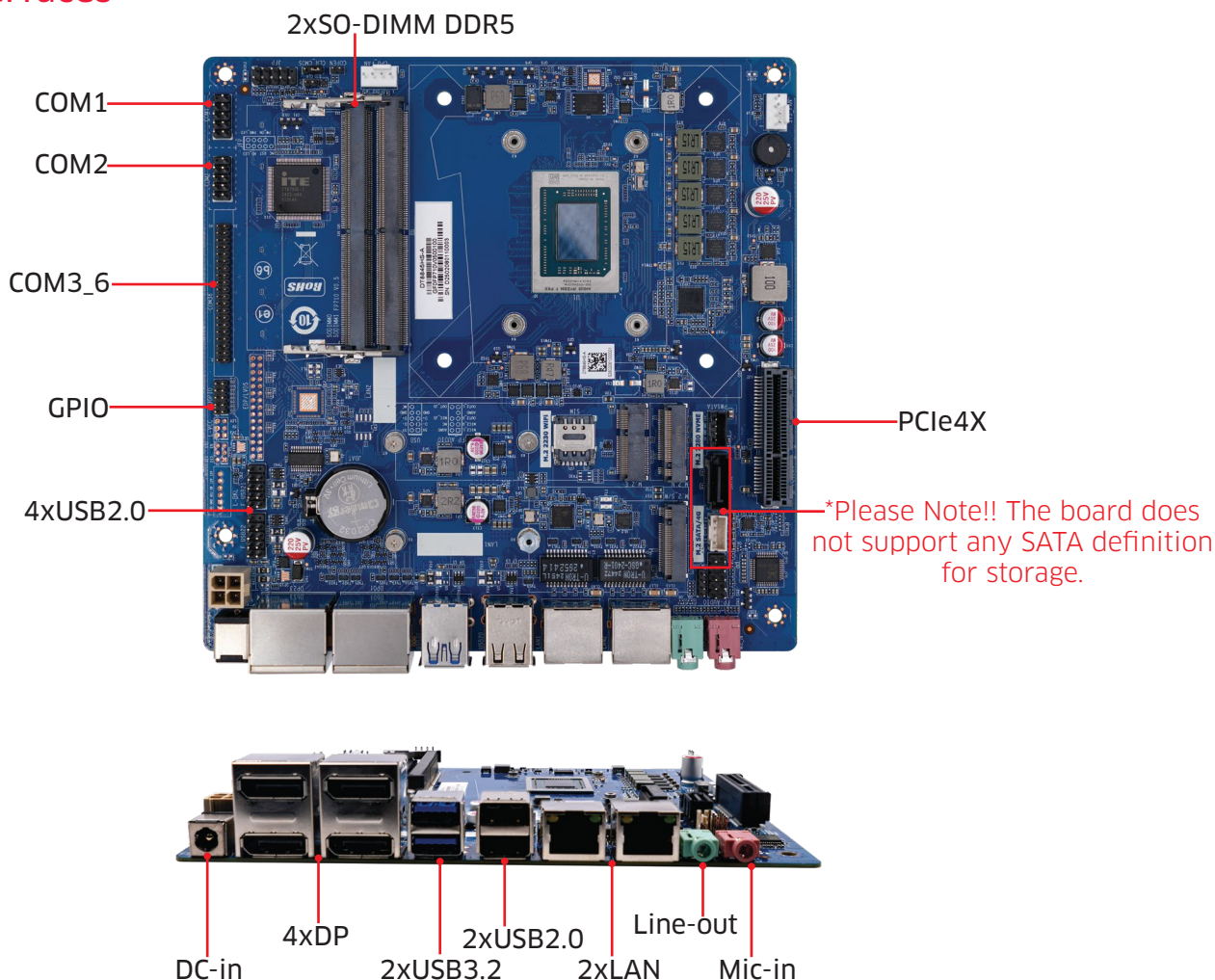


GPIO



Brightness

I/O Interfaces

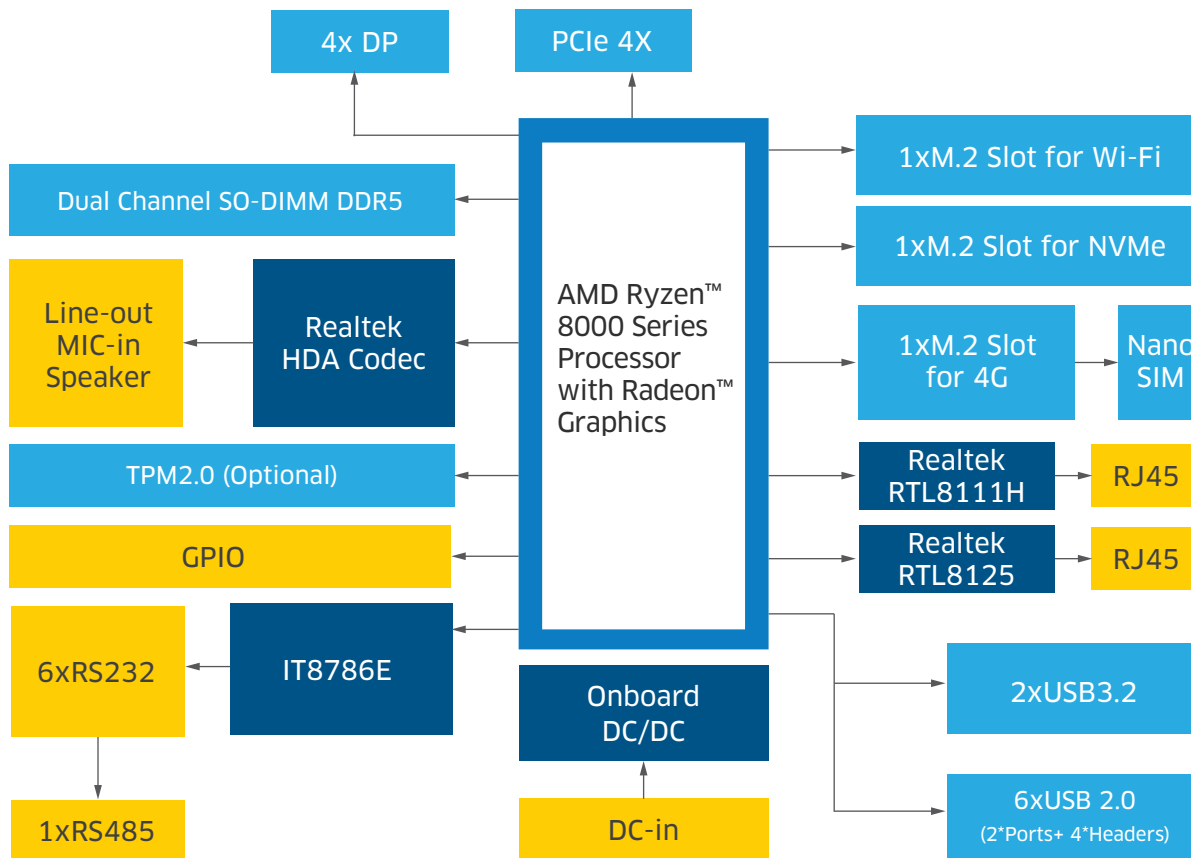


Technical Specifications

Processor	CPU	Ryzen™ 7 8845HS	Ryzen™ 7 8745H
	Cores/Threads	8C/16T	8C/16T
	Max. Boost Clock	Up to 5.1 GHz	Up to 4.9 GHz
	Base Clock	3.8 GHz	3.8 GHz
	L2/L3 Cache	8MB/16MB	8MB/16MB
AI Capabilities	AMD Ryzen™ AI	Available	Not Available
	BIOS	AMI SPI BIOS	
Memory	Type	Dual Channel SO-DIMM DDR5	
	Max. Capacity	96GB	
Display	GPU	AMD Radeon™ 780M Graphics	
		Four 4K Displays. Resolution up to 4096x2160 for single displays.	
	Interface	4 xDP1.4	
Ethernet	Controller	RTL8111H(1.0GbE)+ RTL8125(2.5GbE)	
	Interface	2xRJ45	
	Max. Speed	10/100/1000/2500 Mbps	
Audio	Audio codec	Realtek HD	
	Interface	1xLine-out, 1xMic-in, support audio header and amplifier header	
Hardware		CPU system temperature, onboard voltage, watchdog	
Storage Expansion	M.2_N	1xM.2_2280 Slot for NVMe	
	M.2_S/W	1xM.2_2242 Slot for 4G Module	
	M.2_E	1xM.2_2230 Slot for Wi-Fi and Bluetooth	
	PCIe 4X	1	
	Nano SIM	1	
Other I/O	COM	6×RS232 (COM2 can be set as RS485 through hardware changes)	
	USB3.2	2	
	USB2.0	6 (2*Port + 4*header)	
	GPIO	8-bit	
	Buzz_M	Yes	
	TPM2.0	Onboard, Optional	
Dimension	Form Factor	Mini ITX	
	Size	170 mm x 170 mm	
Power	Standard Port	19V DC-in	
	Peripheral Input	For Fan	
Temperature	Operating Temp.	-20°C ~60°C	
	Storage Temp.	-40°C ~80°C	
Operating System		Windows 10/11 64bit, Linux 64bit	

* All specifications and photos are subject to change without notice.

Functional Block Diagram



Order Information

Model Name	Description
DT8845HS-A	DT AMD 8845HS FP710 DDR5 2LAN(8111H+8125) 6COM 4DP PCIE4X NVME
DT8745H-A	DT AMD 8745H FP710 DDR5 2LAN(8111H+8125) 6COM 4DP PCIE4X NVME

*For customized options, please consult regional sales. And please confirm the model name and description before purchasing. *The model name and description might vary due to inventory changes.

Copyright © 2025 Maxtang Technology Co. Ltd. All rights reserved. All data is for information purposes only and not guaranteed for legal purposes. Information has been carefully checked and is believed to be accurate however, no responsibility is assumed for inaccuracies. Maxtang and the Maxtang logo and all other trademarks or registered trademarks are the property of their respective owners and are recognized.