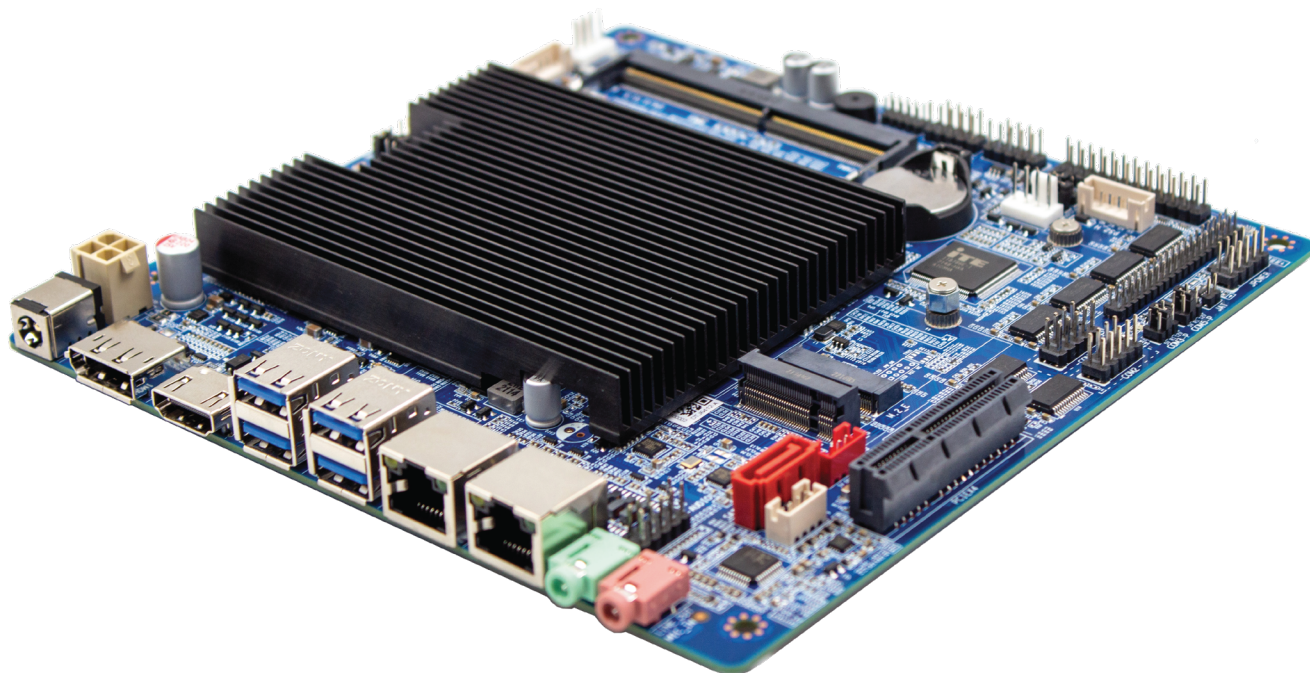


EHL-10

Intel® Elkhart Lake Processor based Mini ITX Motherboard



Features

- CPU: Intel® Elkhart Lake Celeron and Pentium processors
- Memory: Single channel SO-DIMM DDR4 up to 32GB
- Display: Intel UHD Graphics display via HDMI, DP, LVDS/eDP
- Ethernet: 10/100/1000 Mbps
- Storage: M.2 for 4G/SSD, SATA3.0
- Expansion: M.2 for WiFi, PCIe 4X(2X Signal), SIM optional
- Power: 12V DC-in



IoT Solutions
Alliance
Industrial Solution
Builders Specialist

Maxtang[®]

MAXIMIZING YOUR COMPUTING PRODUCTIVITY

Introduction

The Maxtang mini-ITX EHL-10 embedded motherboard is based on Intel Elkhart Lake processors and provides a complete PC platform with high performance. Single Channel SO-DIMM DDR4 up to 32GB for its memory and SATA3.0, M.2 for its storage. Intel UHD graphics (based on CPU) for display via HDMI, DP, and eDP/LVDS. Rich interfaces include 6xCOM, 2xLAN, 4xUSB3.2, 4xUSB2.0 optional SIM and PCIe cater most market requirements.

The industrial mini-ITX motherboard offers a lot of functionality right off the rear panel and its internal headers. It is composed of high-quality components intended for a long-life operation that is perfect for industrial environments. It retains a robust design just like all other Maxtang products with stability, reliability, and cost advantages.



H/W Monitor



Watchdog

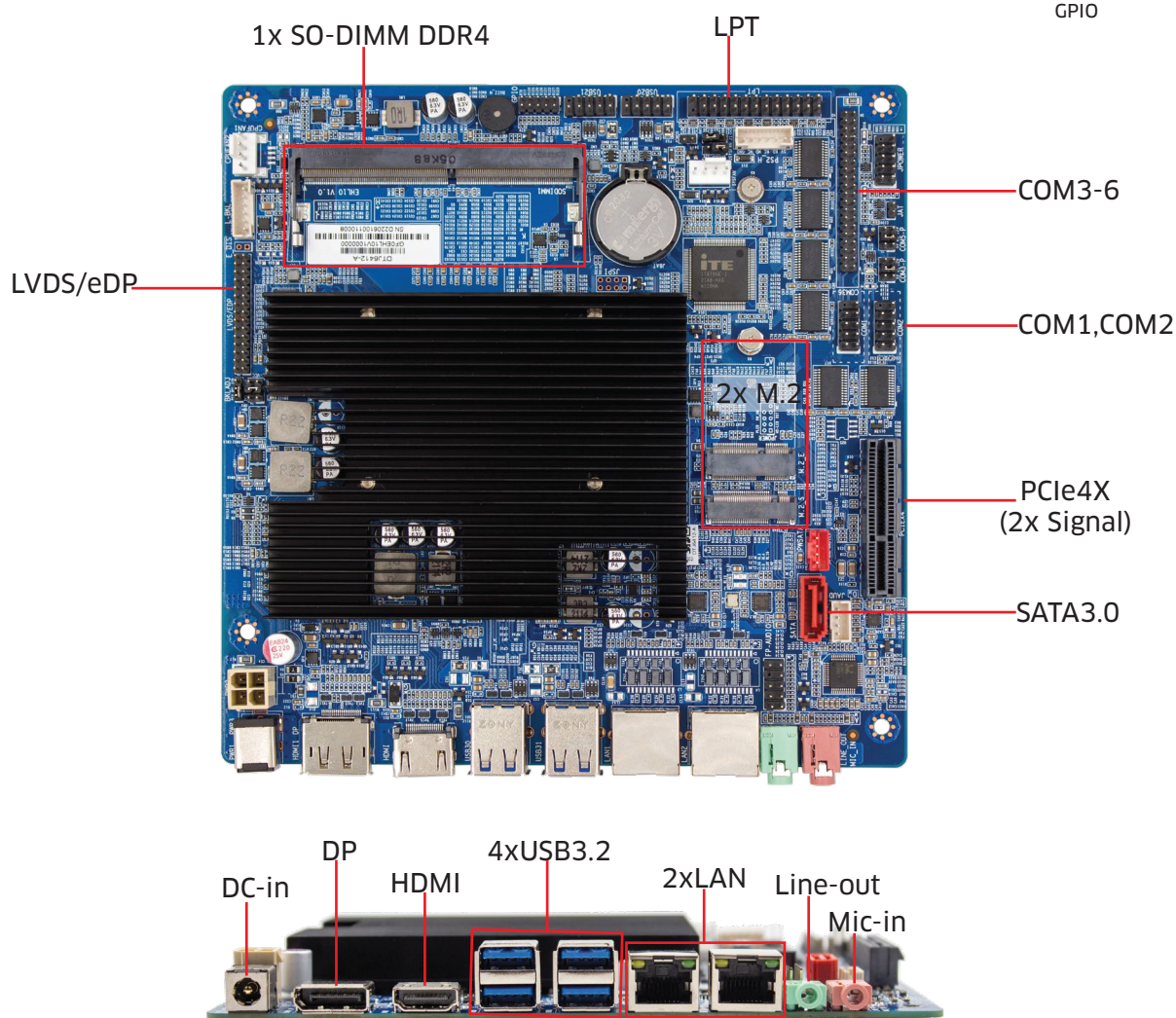


GPIO



Brightness

I/O Interfaces

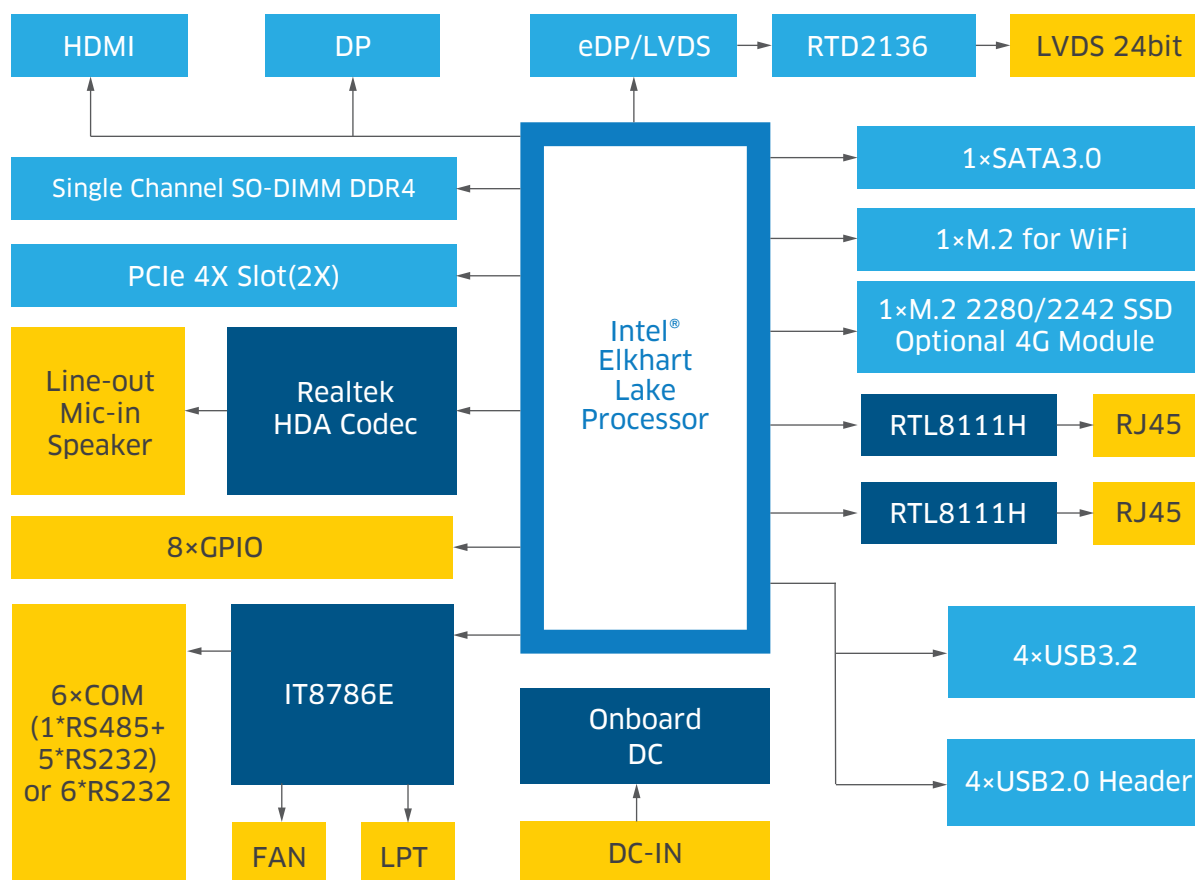


Technical Specifications

Processor	CPU	J6412	J6426	x6427FE	x6425RE	
	Base Frequency	2.0GHz	2.0GHz	1.9GHz	1.9GHz	
	Turbo Frequency	2.6GHz	3.0GHz	/	/	
	Cache	1.5MB	1.5MB	1.5MB	1.5MB	
	BIOS	AMI UEFI BIOS				
Memory	Type	Single Channel SO-DIMM DDR4				
	Max.Capacity	32GB				
Display	GPU	Intel® UHD Graphics for 10th Gen Intel® Processors				
	Display via	1xHDMI+1xDP+1x LVDS/eDP				
Ethernet	Speed	10/100/1000Mbps				
	Controller	RTL8111H				
	Interface	RJ45				
	Wake on LAN	Yes				
Audio	Audio Codec	Realtek HD				
	Interface	Line-out, Mic-in, audio header, amplifier header				
Hardware	CPU System Temperature, onboard voltage, watchdog, Auto power on					
Storage	M.2	1×M.2 for 2280/2242 SSD, optional 4G Module				
	SATA3.0	1				
Expansion	M.2	1×M.2 for WiFi				
	PCIe4X	1 (PCIe2X Signal)				
	SIM	Optional SIM Card Slot (on the back side of the board)				
I/O Interface	LAN	2				
	COM	5*RS232+1*RS485(COM2) or 6*RS232				
	USB3.2	4				
	USB2.0	4*header				
	GPIO	8				
	LPT	1				
	Audio	1×Line-out, 1×Mic-in				
	TPM2.0	Onboard, optional				
	Dimension	Size	170mm×170mm			
		Board Type	Mini-ITX			
Power	Standard Port	12V DC-in /4 PIN Power				
	Peripheral Input	For Fan and SATA				
	Operating Temp.	-20°C ~60°C				
	Storage Temp.	-40°C ~80°C				
Operating System	Win10/11 64 bit, Linux 64 bit					

* All specifications and photos are subject to change without notice.

Functional Block Diagram



Order Information

Model Name	Description
DTJ6412-A	DT MINI-ITX Intel Celeron J6412 EHL10 2LAN 6*RS232 DP+HDMI+LVDS
DTJ6412-A-485	DT MINI-ITX Intel Celeron J6412 EHL10 2LAN 5*RS232 1*RS485 DP+HDMI+LVDS

*For customized options, please consult regional sales. And please confirm the model name and description before purchasing. **The model name and description might vary due to inventory changes.