

MTN-BW50

Intel Haswell and Broadwell Core™ Based Compact Mini PC



Features

- Based on the Intel® i5-4200U, i3-5005U, i7-5500U
- Dual channel DDR3L for memory up to 16GB
- Intel® HD Graphics via HDMI
- Rich I/O ports: 3x USB3.0, 2x USB2.0, 1x LAN, 2x HDMI, 1x Line-out, 1x Mic-in, 1x DC-in
- Built-in Wi-Fi and Bluetooth
- Compact design and low power consumption
- Ready to use



Introduction

Maxtang MTN-BW50 is a small form factor PC with a tiny footprint based on the Intel Haswell and Broadwell Core™ processor, i5-4200U, i3-5005U, and i7-5500U. This mini PC squeeze a powerful processor, fast memory, and massive storage comparable to the full-size desktop PCs into the smallest form factors we can engineer. It puts full-sized PC power in the palm of your hand.

The MTN-BW50 supports dual channel DDR3L up to 16GB to add higher bandwidth and lower latencies for processes. It is also designed with rich interfaces including 3x USB3.0, 2x USB2.0, 2x HDMI, 1x LAN, 1x mic-in, and 1x line-out. It's also equipped with built-in Wi-Fi and Bluetooth for better connectivity. Its rich interfaces make it an ideal choice to realize all your requirements. With our fine manufacturing technology and rich industrial design experience, our MTN-BW50 would be an quality and cheap mini PC series.



H/W Monitor

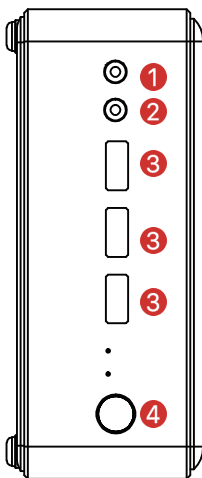


Watchdog

I/O Interfaces

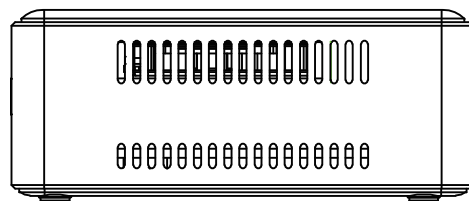
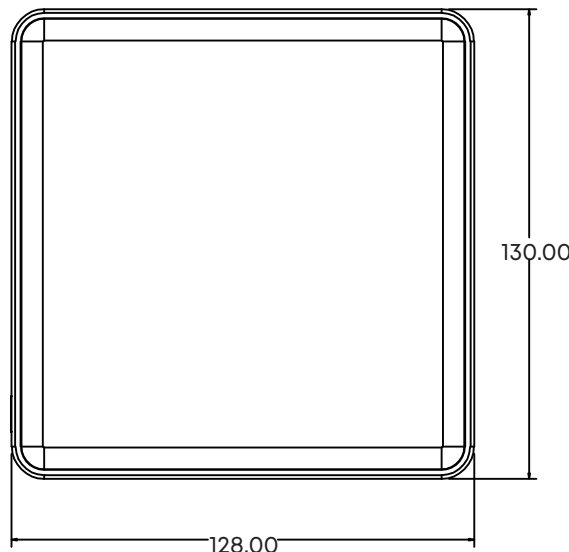
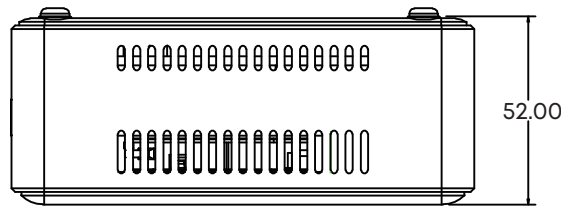
1 Mic-in

2 Line-out



3 3x USB3.0

4 Power button (with LED)

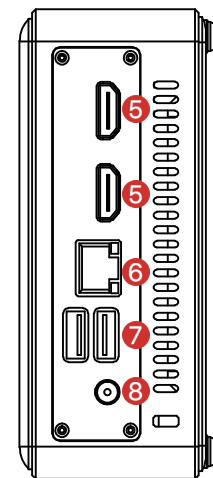


5 2x HDMI

6 LAN

7 2x USB2.0

8 DC-in



Technical Specifications

Processor	CPU	I5-4200U	i3-5005U	I7-5500U
	Max boost clock	2.6 GHz	/	3.0 GHz
	Base clock	1.6 GHz	2.0 GHz	2.4 GHz
	Cache	3 MB	3 MB	4 MB
	tdp	15 W	15 W	15 W
	BIOS	AMI 8MB UEFI BIOS		
Memory	Type	2x DDR3L		
	Max capacity	16GB		
Display	GPU	Intel HD Graphics (Based on CPU)		
	Display Port	2x HDMI1.4		
Ethernet	Speed	1 GbE		
	Controller	RTL8111H		
	Interface	RJ-45		
WLAN	Interface	M.2/NGFF		
	Wi-Fi Certified	802.11 a, b/g, n, ac		
Bluetooth	Bluebooth	Supported		
Audio	Audio codec	Realtek HD ALC662 (Line-out, Mic-in)		
	Interface	Line-out, mic-in, audio header, amplifier header		
Hardware		CPU temperature, system temperature, onboard voltage, watchdog		
Storage	M.2	1xM.2 for SATA 2280 SSD		
	SATA	1xSATA (2.5 inch)		
External I/O	HDMI	2		
	USB	2 x USB2.0 + 3 x USB3.0		
	LAN	1		
	Audio	1 x line-out + 1 x mic-in		
	DC-in	1		
	Dimension	Size	130 mm x 128 mm x 52 mm	
Power	Standard port	12V DC-in		
Temperature	Operating Temp.	0°C to 50°C		
	Storage Temp.	-40°C to 80°C		
Cooling		Active		
Operating System		Win7 64bit, Win10 64bit, Linux 64bit		

*All specifications and photos are subject to change without notice.

Copyright ©2018 Maxtang Technology Co. Ltd. All rights reserved. All data is for information purposes only and not guaranteed for legal purposes. Information has been carefully checked and is believed to be accurate however, no responsibility is assumed for inaccuracies. Maxtang and the Maxtang logo and all other trademarks or registered trademarks are the property of their respective owners and are recognized.